

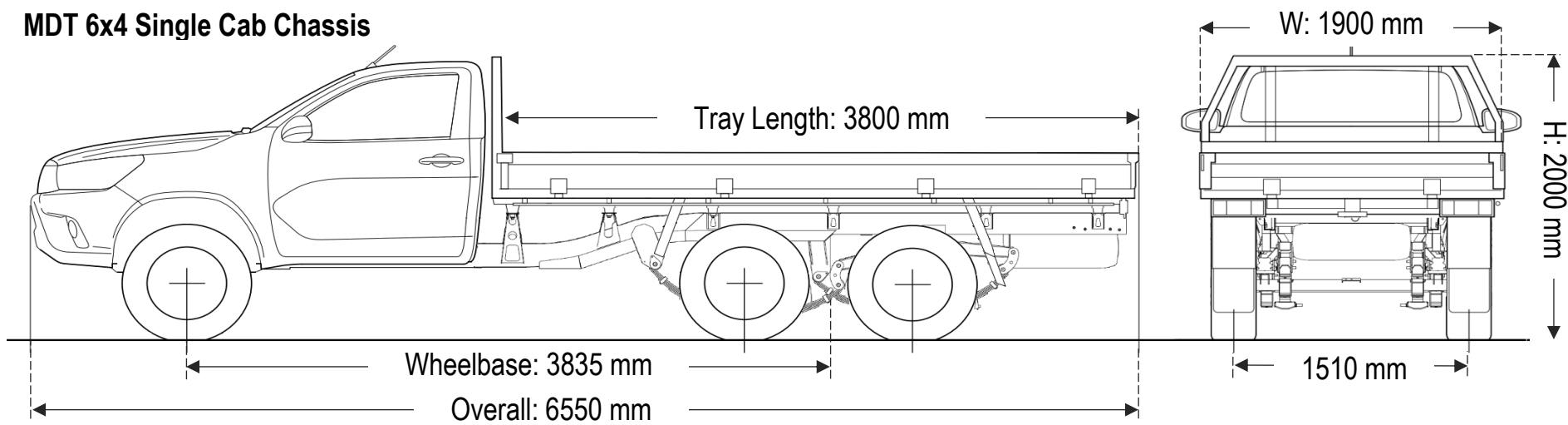


MDT TOYOTA HILUX 6X4

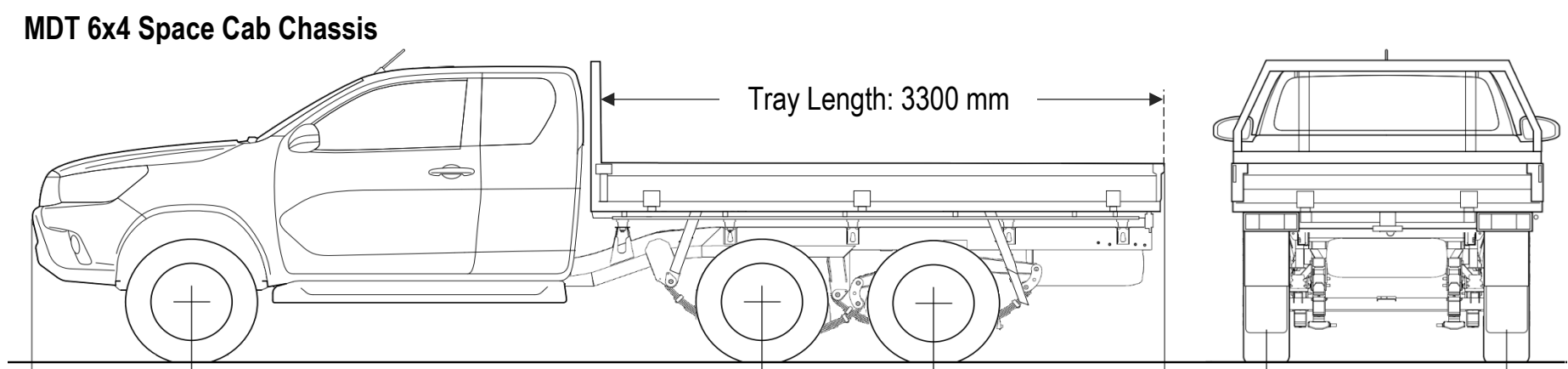
SERIOUS PAYLOAD. SERIOUSLY OFFROAD.

WWW.MULTIDRIVE.COM.AU

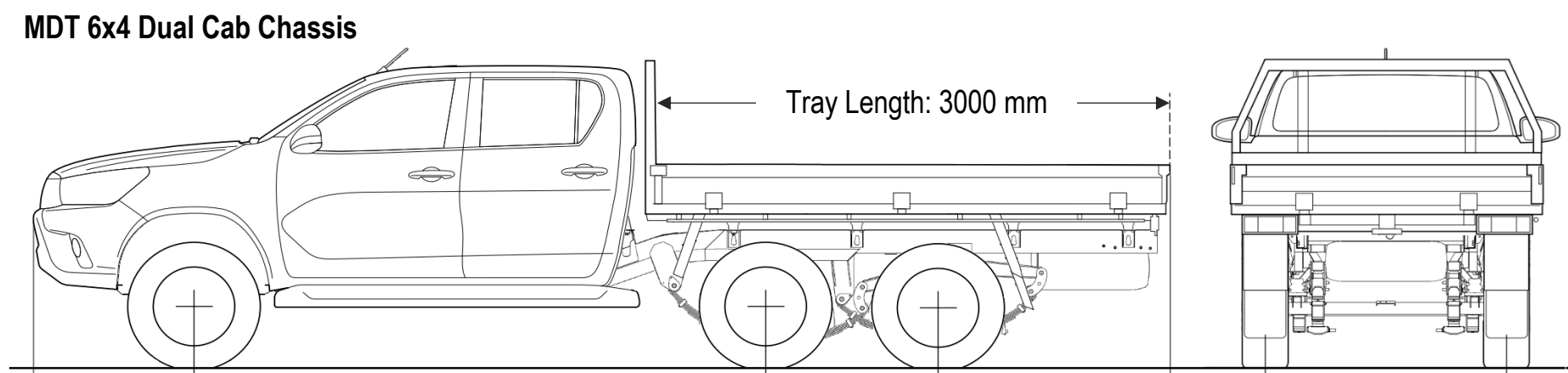
MDT 6x4 Single Cab Chassis



MDT 6x4 Space Cab Chassis



MDT 6x4 Dual Cab Chassis



Specifications:

Engine	1GD-FTV	Length / Width / Height (mm)	6550 / 1900 / 2000	Gross Vehicle Mass (GVM)	4490
Capacity	2.8L	Wheelbase (mm)	3835	Max Towing (Braked)	3000
Max power (kW@rpm)	130@3400	Track – front / rear (mm)	1535 / 1550	Max Towing (Non Braked)	750
Max torque (Nm@rpm)	450@1600-2400	Overhang – front / rear (mm)	1000 / 1245	Tare Mass - Single Cab	2200
Fuel system	Fuel injection with common rail	Tray Dimensions - Single Cab	3800 x 1900	Tare Mass - Space Cab	2295
Transmission	Automatic (6-speed)	Tray Dimensions - Space Cab	3300 x 1900	Tare Mass - Dual Cab	2360
Fuel Capacity	80L (150L Optional)	Tray Dimensions - Dual Cab	3000 x 1900	Seating (Single, Space, Dual)	2, 4, 5

Multidrive Technology P/L - Geelong VIC



ADDRESS

9-12 Hume Reserve Court Bell Park VIC 3215

PHONE

03 5278 5300

EMAIL

sales@multidrive.com.au

WEBSITE

www.multidrive.com.au

