

### IMPORTANT

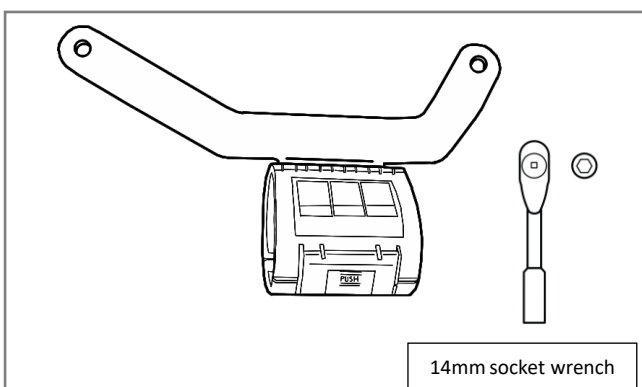
Please ensure that you read and review this guide in its entirety before attempting any modifications to vehicle.



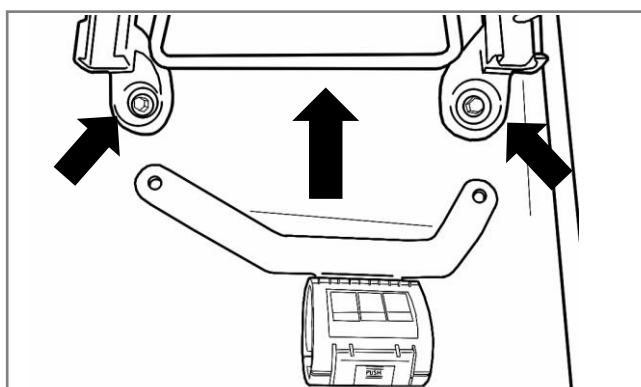
**Recommended Extinguisher:**  
Dry Powder Type ABE  
1kg Capacity  
80mm Ø  
(Fire extinguisher bottle not included)

**Kit Contents:**  
1x 85mm Quick Release Clamp  
1x Mounting Bracket

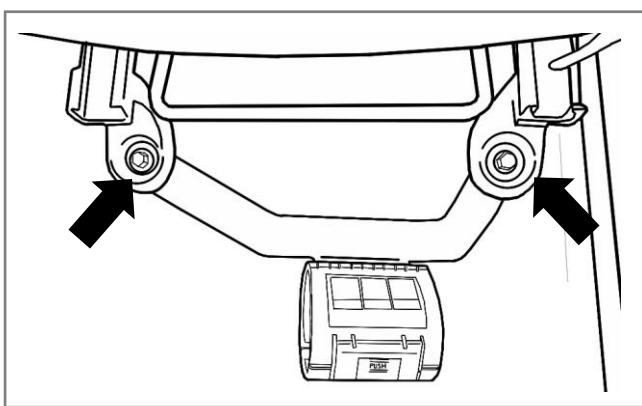
**Tool List:**  
14mm Socket and Ratchet



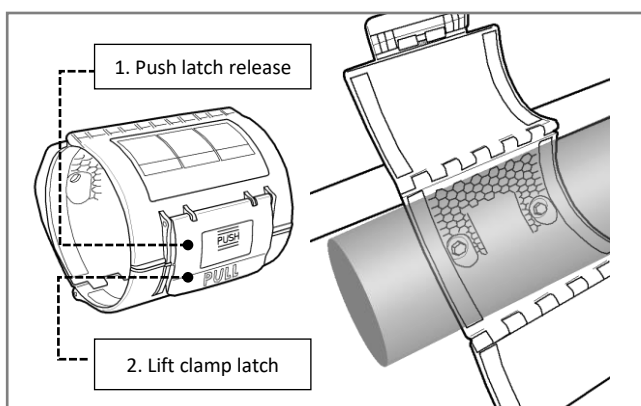
**1.** Your Quick Release Extinguisher Clamp is designed to be installed at the base of the front passenger seat using the existing seat mounting bolts.



**2.** Using a 14mm socket remove the two front passenger seat mounting bolts. Lift the front of the seat slightly to allow the mounting bracket to slide underneath.



**3.** Using a 14mm socket reinstall the two front passenger seat mounting bolts. Be sure to tighten the bolts securely. You can now mount Fire Extinguisher bottle into your Quick Release Clamp.



**4.** Open the quick release clamp and mount your chosen 80mm diameter extinguisher bottle as shown. Close the clamp and secure the clamp latch.