

### IMPORTANT

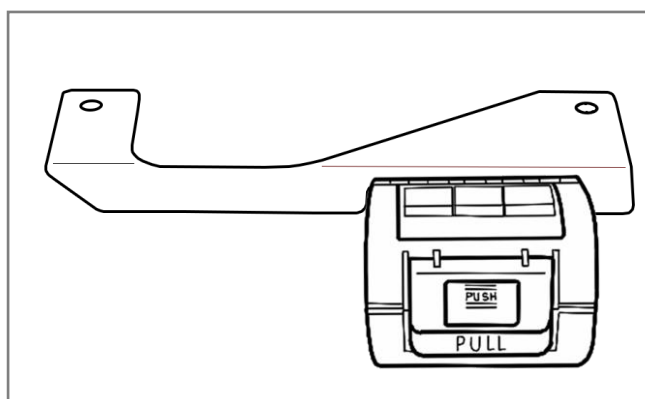
Please ensure that you read and review this guide in its entirety before attempting any modifications to vehicle.



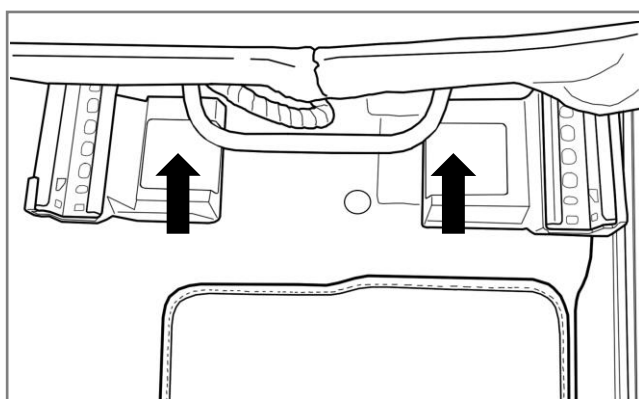
**Recommended Extinguisher:**  
Dry Powder Type ABE  
1kg Capacity  
80mm Ø

**Kit Contents:**  
1x 85mm Quick Release Clamp  
1x Mounting Bracket

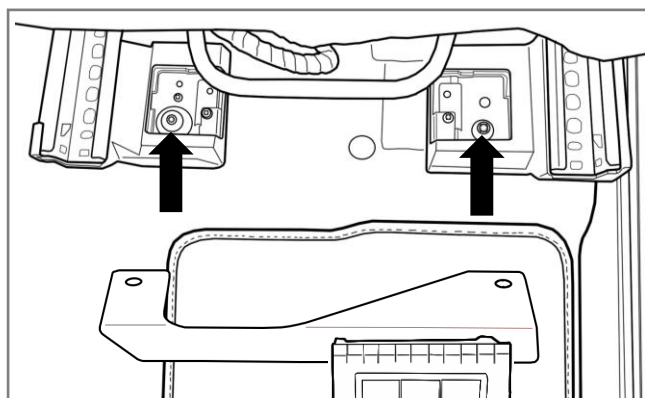
**Tool List:**  
T50 Torx Socket or Key  
Clip removal tool



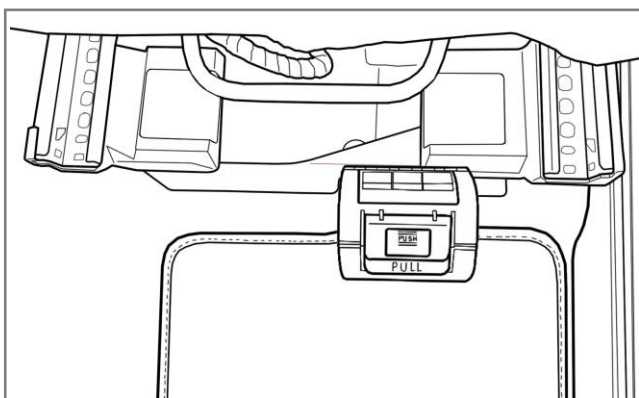
1. Your Quick Release Extinguisher Clamp is designed to be installed at the base of the front passenger seat using the existing seat mounting bolts.



2. Use a clip removal tool to unclip the two plastic bolt covers beneath front passenger seat.



3. Use a T50 Torx driver remove the left and right seat mounting bolts. Lift the front of the seat and slide mounting bracket underneath.



4. Reinstall the two seat mounting bolts and plastic covers. Be sure to securely tighten all bolts. You can now mount a Fire Extinguisher into your Quick Release Clamp.