

### IMPORTANT

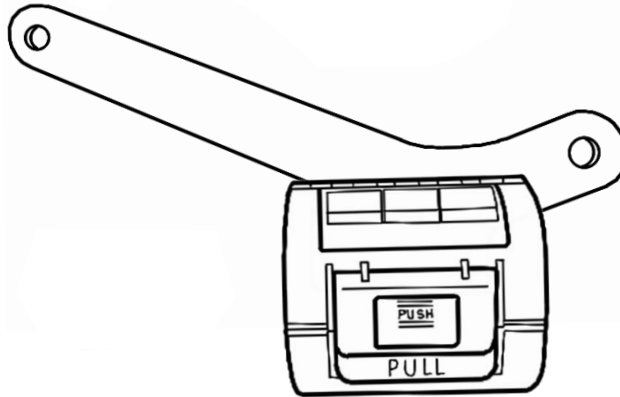
Please ensure that you read and review this guide in its entirety before attempting any modifications to vehicle.



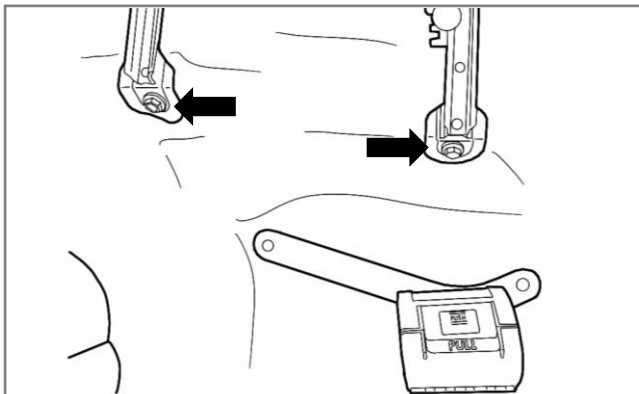
**Recommended Extinguisher:**  
Dry Powder Type ABE  
1kg Capacity  
80mm Ø

**Kit Contents:**  
1x 85mm Quick Release Clamp  
1x Mounting Bracket

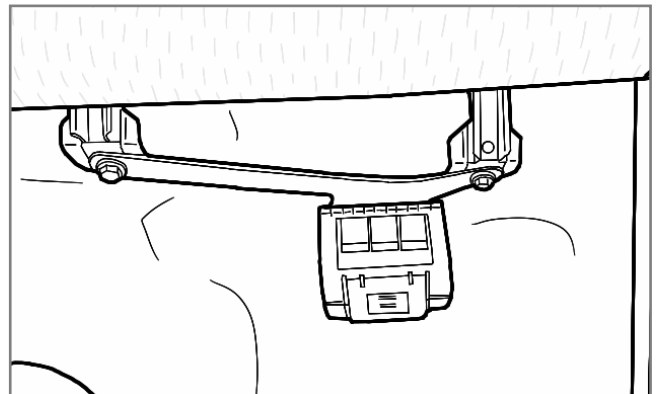
**Tool List:**  
14mm Socket and Ratchet



1. Your Quick Release Extinguisher Clamp is designed to be installed at the base of the front passenger seat using the existing seat mounting bolts.



2. Using a 14mm socket remove the two front passenger seat mounting bolts. Fit one of the supplied spacers to seat each mounting point as per above depiction.



3. Using a 14mm socket reinstall the two front passenger seat mounting bolts. Be sure to tighten the bolts securely. You can now mount Fire Extinguisher bottle into your Quick Release Clamp.